



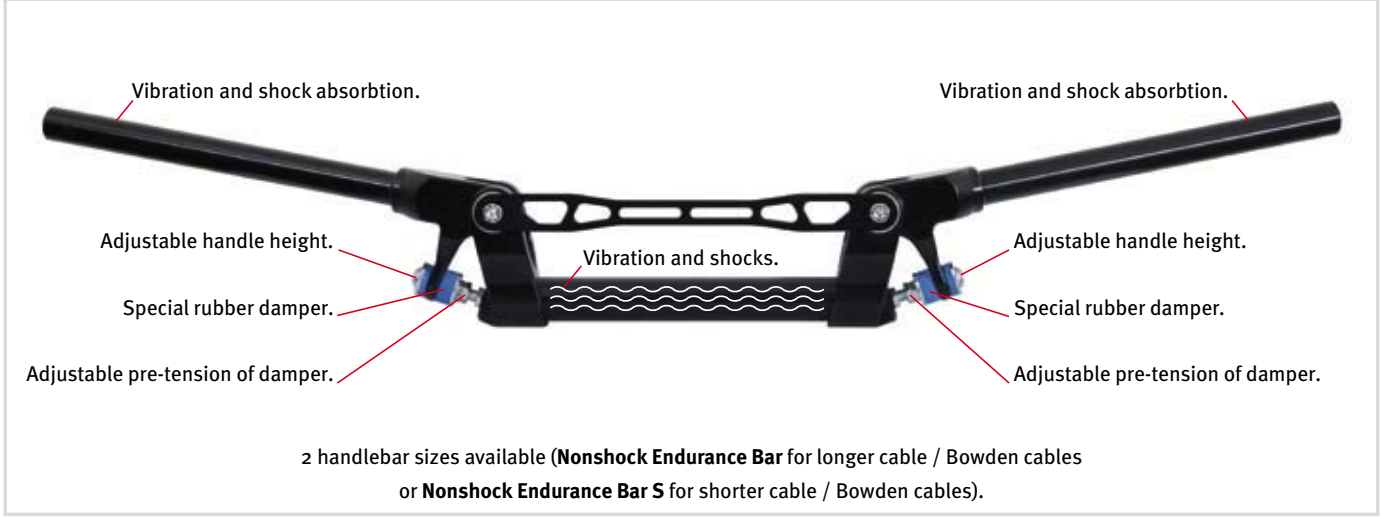
Patented system.

Nonshock-joint of the patented Nonshock Endurance Bar.



- Patented, adjustable, vibration and shock absorbing handlebar (ø 28 mm mid-section, ø 22 mm grip area).
- Reduces vibration and shock transmission to hands, joints, GPS or PDA devices and reduces fatigue.
- Continuously variable handle height / angle.
- 2 bar sizes available (**Nonshock Endurance Bar** for longer cable / Bowden cables or **Nonshock Endurance Bar S** for shorter cable / Bowden cables).
- The combination of interchangeable rubber damper with variable pre-tension delivers complete adjustability.
- Smooth controlled damping allows precise steering.
- CNC-milled from high strength aluminium alloy.
- Black-anodized surface.
- Optional accessories: **Nonshock Endurance Crossbar**, **Nonshock Endurance GPS-Mount** (Crossbar incl.), **Nonshock Endurance Handguard Kit**.

Vibration and shock absorbtion of Nonshock Endurance Bar. Please note model-specific mounting instructions at www.sw-motech.com!



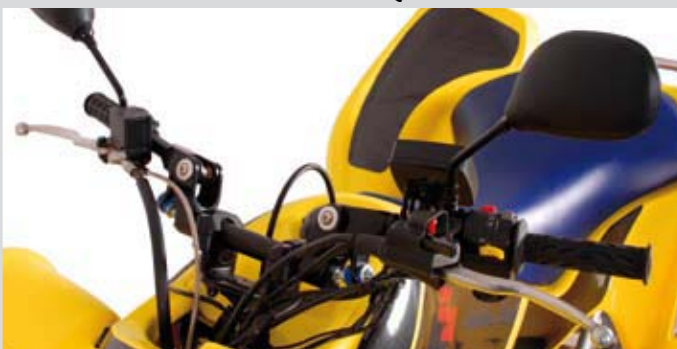
Motocross with Nonshock Endurance Bar.



Nonshock Endurance Bar mounted on Motocross motorbike.



Nonshock Endurance Bar mounted on Quad.



Nonshock Endurance Bar mounted on streetfighter motorbike.



Nonshock Endurance Bar.

BMW	Year	Type	TÜV	Order Number
G 450 X	08 -	E45X	+	LEN.00.156.10001/B
F 650 GS	08 09	E8GS	⊕	LEN.00.156.10001/B
G 650 Xchallenge	07 09	E65X	+	LEN.00.156.10001/B
G 650 Xcountry	07 09	E65X	+	LEN.00.156.10001/B
G 650 Xmoto	07 09	E65X	+	LEN.00.156.10001/B
F 800 GS	08 -	E8GS	+	LEN.00.156.10001/B
R 1150 GS	99 04	R21	+	LEN.00.156.10001/B
R 1200 GS	04 -	R12	+	LEN.00.156.10001/B
R 1200 GS Adventure	06 07	R12	⊕	LEN.00.156.10001/B
R 1200 GS Adventure	08 -	R12	+	LEN.00.156.10001/B
R 1200 R	07 -	R1ST	+	LEN.00.156.10001/B

HONDA	Year	Type	TÜV	Order Number
XL 600 V Transalp	87 96	PD06	+	LEN.00.156.10001/B
CBF 1000	06 -	SC58	+	LEN.00.156.10001/B

KAWASAKI	Year	Type	TÜV	Order Number
KLE 500	91 05	LE500 A	⊕	LEN.00.156.10001/B
Z 1000	07 09	ZRT00B	⊕	LEN.00.156.10001/B

KTM	Year	Type	TÜV	Order Number
300 EXC	07 -	EXC	+	LEN.00.156.10001/B
620 SC	00 -	4T-SC	+	LEN.00.156.10001/B
625 SMC	04 -	4T-EGS	+	LEN.00.156.10001/B
640 LC4	02 -	4T-EGS	+	LEN.00.156.10001/B
LC8 Adventure 950	03 05	LC8	+	LEN.00.156.10001/B
LC8 Adventure 990	06 -	LC8990	+	LEN.00.156.10001/B

MOTO GUZZI	Year	Type	TÜV	Order Number
Stelvio 1200 4V	08 -	LZ	+	LEN.00.156.10001/B

SUZUKI	Year	Type	TÜV	Order Number
DL 650 V-Strom	04 -	WVB1	+	LEN.00.156.10001/B
DR 650 RSE	91 96	SP43B	+	LEN.00.156.10001/B
DL 1000 V-Strom	02 07	WVBS	+	LEN.00.156.10001/B

TRIUMPH	Year	Type	TÜV	Order Number
Street Triple	08 -	D67LD	+	LEN.00.156.10001/B
Tiger 1050	06 -	515NG	+	LEN.00.156.10001/B

YAMAHA	Year	Type	TÜV	Order Number
XT 660 R	04 -	DM01	+	LEN.00.156.10001/B
XT 660 X	04 -	DM01	+	LEN.00.156.10001/B
XT 660 Z Ténéré	08 -	DM02	+	LEN.00.156.10001/B
TDM 900	03 05	RN11	+	LEN.00.156.10001/B
XT 1200 Z Super Ténéré	10 -	DP01	⊕	LEN.06.156.16000/B
XJR 1300	07 -	RP19	⊕	LEN.00.156.10001/B

Nonshock Endurance Bar S.

APRILIA	Year	Type	TÜV	Order Number
750 Shiver GT	08 -	75S	⊕	LEN.00.156.11000/B

DUCATI	Year	Type	TÜV	Order Number
Monster 1100	09 -	M1100	⊕	LEN.00.156.11000/B

HONDA	Year	Type	TÜV	Order Number
XL 700 V Transalp	08 -	PD13	⊕	LEN.00.156.11000/B
CB 900 F Hornet	02 05	SC48	⊕	LEN.00.156.11000/B

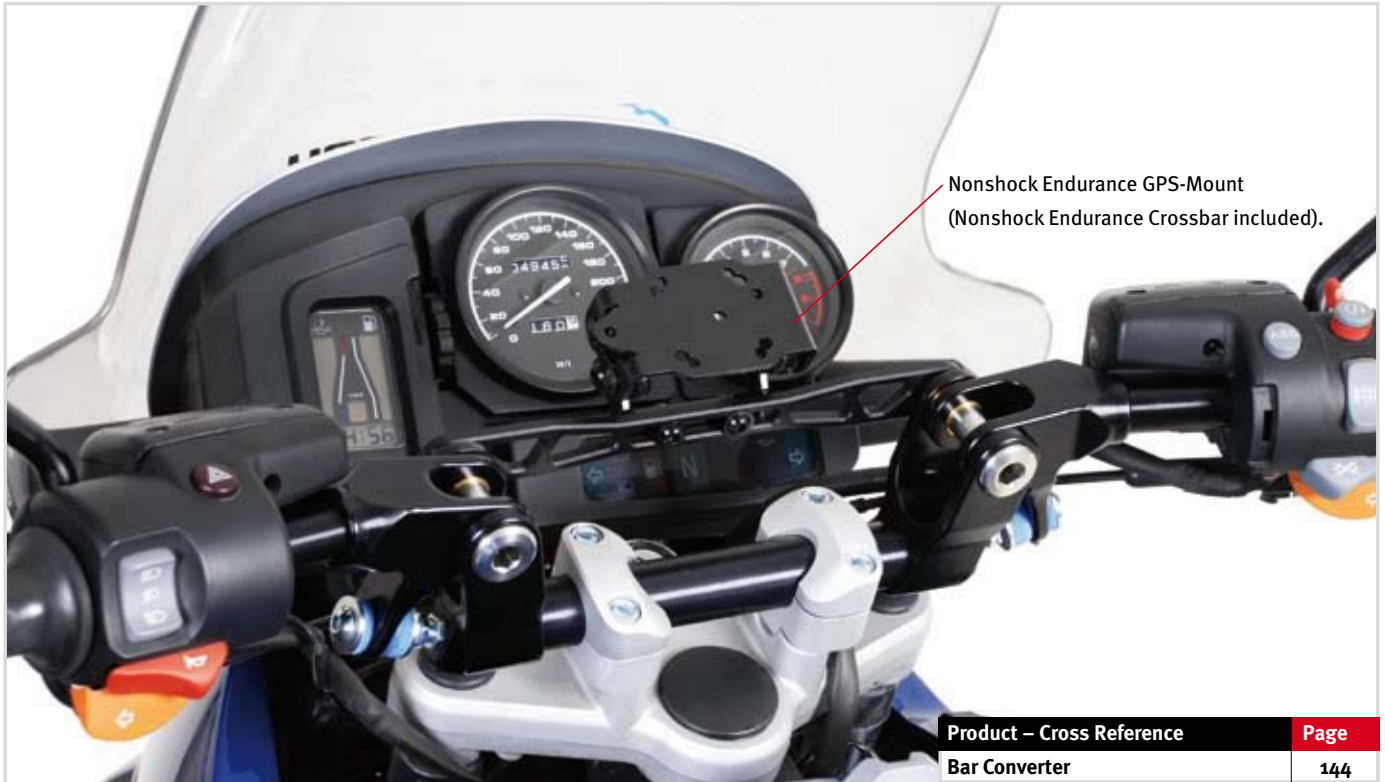
KAWASAKI	Year	Type	TÜV	Order Number
Z 1000	10 -	ZRT00D	⊕	LEN.00.156.11000/B

KTM	Year	Type	TÜV	Order Number
Duke 690	08 -	Duke3	⊕	LEN.00.156.11000/B
950 Supermoto	06 -	950SM	+	LEN.00.156.11000/B
950 Supermoto R	07 08	950SMR	+	LEN.00.156.11000/B
990 Supermoto T	09 -	LC8SM	+	LEN.00.156.11000/B

SUZUKI	Year	Type	TÜV	Order Number
GSR 600	06 09	WVB9	⊕	LEN.00.156.11000/B
GSX 650 F	10 -	GSX65F	⊕	LEN.00.156.11000/B
GSX 1250 F ABS	10 -	WVCH	⊕	LEN.00.156.11000/B

YAMAHA	Year	Type	TÜV	Order Number
XJ 6	09 -	RJ19	⊕	LEN.00.156.11000/B
XJ 6 Diversion	09 -	RJ19	⊕	LEN.00.156.11000/B

⊕ TÜV-certified. ⊖ Not TÜV-certified. ⊕ TÜV in preparation. ⊖ TÜV not required.



GPS-Mount for Nonshock Endurance Bar.



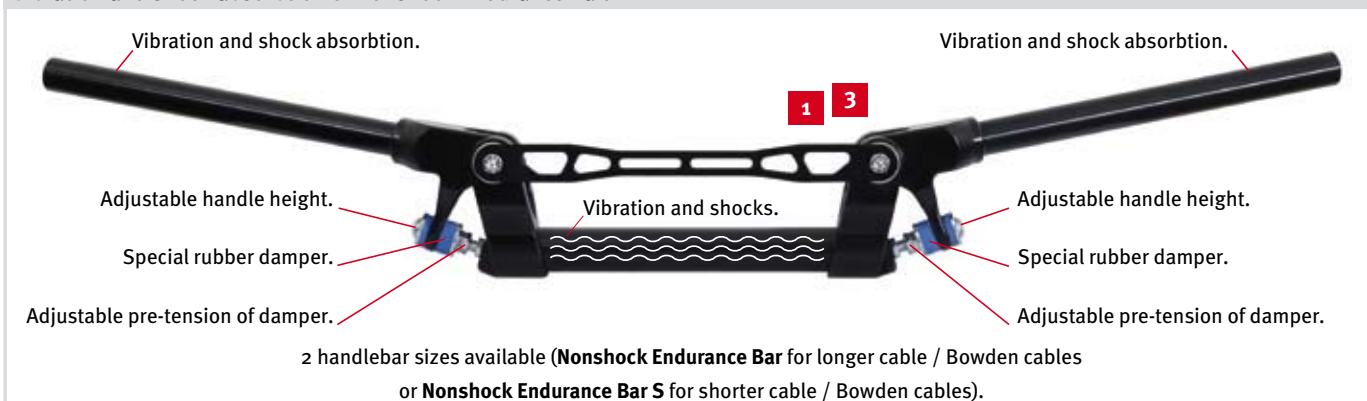
- Attachment of GPS devices at **Nonshock Endurance Bar** with **Nonshock Endurance Crossbar**.
- Reduces vibration and shock transmission to mounted GPS or PDA device (meets manufacturer specifications).
- Suitable for most available GPS devices.
- Compatible with **NAVi Bags**.
- Surface of top section powder-coated, black.
- Surface of crossbar black-anodized.
- CNC-milled from high strength aluminum alloy.
- Pivoting top section for optimal viewing angle.



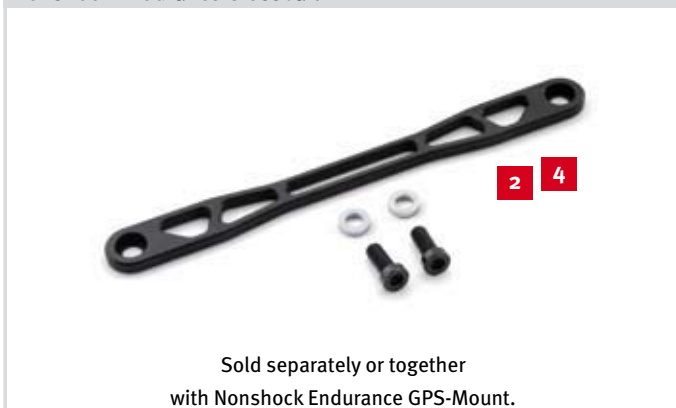
Vibration and shock absorption mounting of GPS on Nonshock Endurance GPS-Mount.



Vibration and shock absorption of Nonshock Endurance Bar.



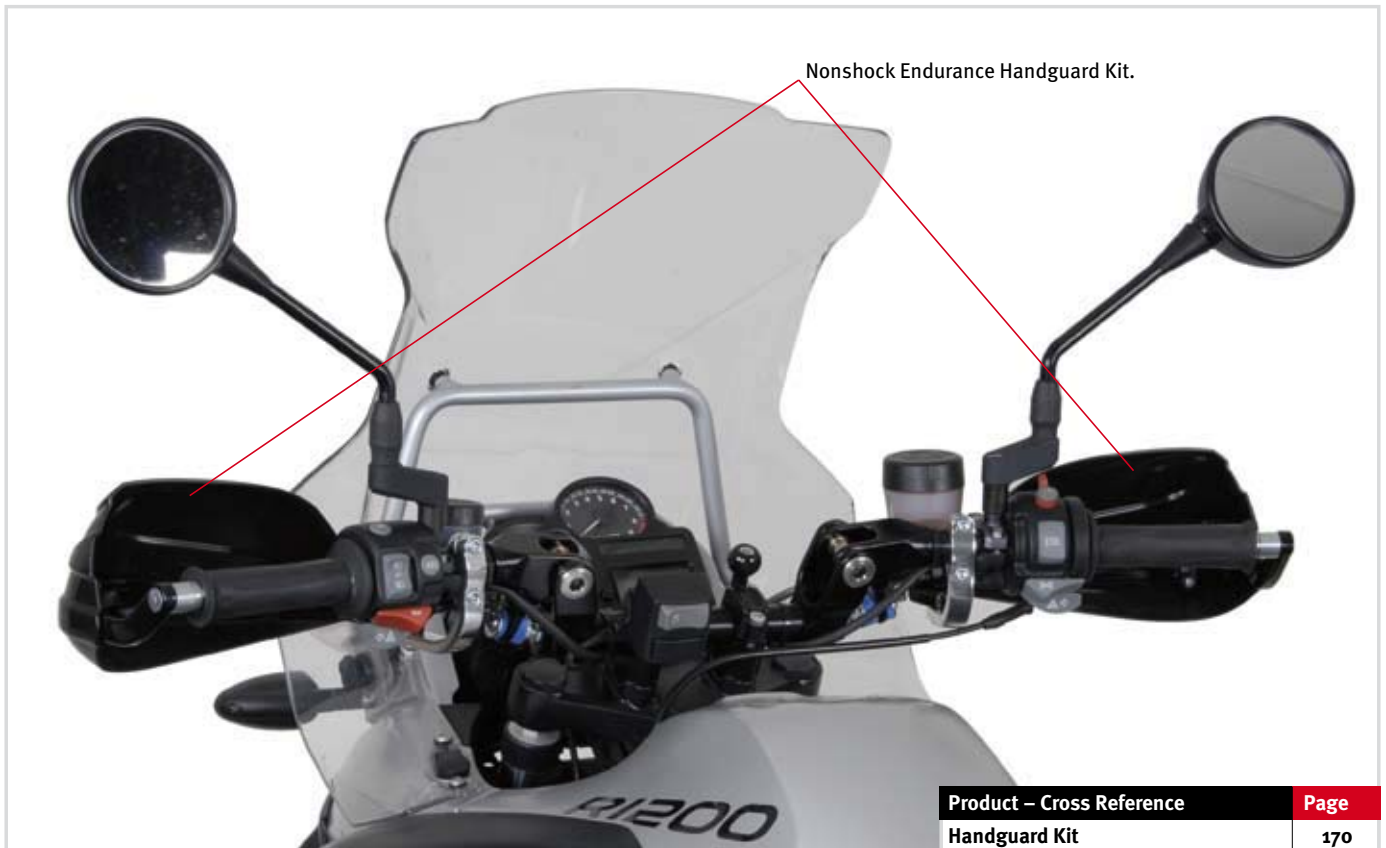
Nonshock Endurance Crossbar.



Grips (ø 22 mm left and ø 25 mm right).



Product	Information	Order Number
1 Nonshock Endurance GPS-Mount	Black. Crossbar included.	LEN.00.156.10100/B
2 Nonshock Endurance Crossbar	Black. For Nonshock Endurance Bar.	LEN.00.156.10300/B
3 Nonshock Endurance GPS-Mount S	Black. Crossbar included.	LEN.00.156.11100/B
4 Nonshock Endurance Crossbar S	Black. For Nonshock Endurance Bar S.	LEN.00.156.11300/B
5 Grips	Black. L ø 22 mm / R ø 25 mm. Length 125 mm. In pairs.	GRG.00.729.46.63



Product – Cross Reference	Page
Handguard Kit	170

BMW R 1200 GS.



- Handguard Kit specially designed to fit at **Nonshock Endurance Bar** protects the hands from the elements and prevents damage to brake and clutch levers and in case of tip-over.
- Sturdy continuous aluminium backbone is fixed at both ends.
- Ergonomically designed form of the plastic shell.
- Backbone and mounting kit made from black powder-coated aluminium.
- Protective guards made from black impact-resistant plastic.

Sturdy aluminium backbone.



Excellent weather protection.



KTM 950 Adventure.



YAMAHA TDM 900.



BMW F 800 GS.



APRILIA	Year	Type	Information	Order Number
750 Shiver GT	08 -	75S	Black. For Nonshock Endurance Bar.	LEN.00.156.10200/B

BMW	Year	Type	Information	Order Number
G 450 X	08 -	E45X	Black. For Nonshock Endurance Bar.	LEN.00.156.10200/B
G 650 Xchallenge	07 09	E65X	Black. For Nonshock Endurance Bar.	LEN.00.156.10200/B
G 650 Xcountry	07 09	E65X	Black. For Nonshock Endurance Bar.	LEN.00.156.10200/B
G 650 Xmoto	07 09	E65X	Black. For Nonshock Endurance Bar.	LEN.00.156.10200/B
F 650 GS	08 -	E8GS	Black. For Nonshock Endurance Bar.	LEN.00.156.10200/B
F 800 GS	08 -	E8GS	Black. For Nonshock Endurance Bar.	LEN.00.156.10200/B
R 1200 GS	04 -	R12	Black. For Nonshock Endurance Bar.	LEN.00.156.10200/B
R 1200 GS Adventure	06 -	R12	Black. For Nonshock Endurance Bar.	LEN.00.156.10200/B
R 1200 GS Adventure	08 -	R12	Black. For Nonshock Endurance Bar.	LEN.00.156.10200/B
R 1200 R	07 -	R1ST	Black. For Nonshock Endurance Bar.	LEN.00.156.10200/B

HONDA	Year	Type	Information	Order Number
XL 600 V Transalp	87 96	PD06	Black. For Nonshock Endurance Bar.	LEN.00.156.10200/B
XL 700 V Transalp	08 -	PD13	Black. For Nonshock Endurance Bar S.	LEN.00.156.10200/B
XR7 750 Africa Twin	93 03	RD07	Black. For Nonshock Endurance Bar.	LEN.00.156.10200/B
CB 900 F Hornet	02 05	SC48	Black. For Nonshock Endurance Bar S.	LEN.00.156.10200/B

KAWASAKI	Year	Type	Information	Order Number
Z 1000	07 09	ZRT00B	Black. For Nonshock Endurance Bar.	LEN.00.156.10200/B

KTM	Year	Type	Information	Order Number
300 EXC	07 -	KTM EXC	Black. For Nonshock Endurance Bar.	LEN.00.156.10200/B
620 SC	00 -	4T-SC	Black. For Nonshock Endurance Bar.	LEN.00.156.10200/B
625 SMC	04 -	4T-EGS	Black. For Nonshock Endurance Bar.	LEN.00.156.10200/B
640 Adventure	02 -	4T-EGS	Black. For Nonshock Endurance Bar.	LEN.00.156.10200/B
640 LC4	02 -	4T-EGS	Black. For Nonshock Endurance Bar.	LEN.00.156.10200/B
950 Supermoto R	07 08	950SMR	Black. For Nonshock Endurance Bar S.	LEN.00.156.10200/B
LC8 Adventure 950	03 05	LC8	Black. For Nonshock Endurance Bar.	LEN.00.156.10200/B
990 Supermoto T	09 -	LC8SM	Black. For Nonshock Endurance Bar S.	LEN.00.156.10200/B
LC8 Adventure 990	07 -	990ADV	Black. For Nonshock Endurance Bar.	LEN.00.156.10200/B

SUZUKI	Year	Type	Information	Order Number
GSR 600	06 09	WVB9	Black. For Nonshock Endurance Bar S.	LEN.00.156.10200/B

TRIUMPH	Year	Type	Information	Order Number
Tiger 1050	06 -	515NG	Black. For Nonshock Endurance Bar.	LEN.00.156.10200/B

YAMAHA	Year	Type	Information	Order Number
XJ 6	09 -	XJ6	Black. For Nonshock Endurance Bar.	LEN.00.156.10200/B
XT 660 R	04 -	DM01	Black. For Nonshock Endurance Bar.	LEN.00.156.10200/B
XT 660 X	04 08	DM01	Black. For Nonshock Endurance Bar.	LEN.00.156.10200/B
TDM 900	03 05	RN11	Black. For Nonshock Endurance Bar.	LEN.00.156.10200/B
XJR 1300	07 -	RP19	Black. For Nonshock Endurance Bar.	LEN.00.156.10200/B